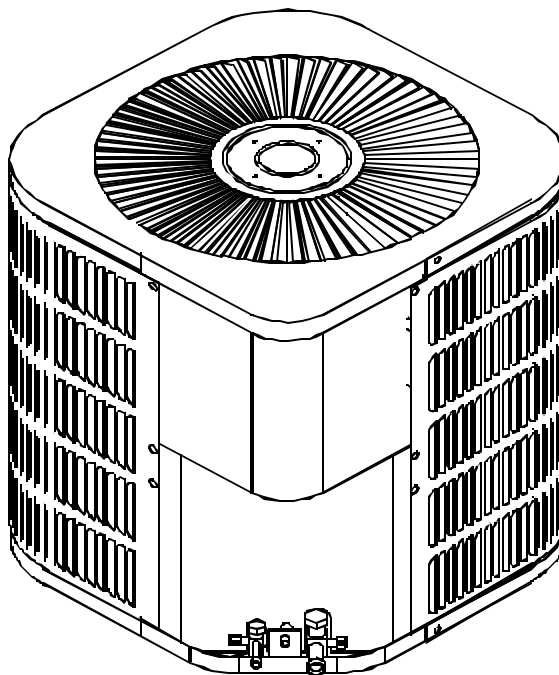




# REPAIR PARTS

## CPKF Series 50 hz Heat Pump, Gray Color Units

CPKF24-2LB  
CPKF36-2LB  
CPKF36-5LB  
CPKF42-5LB  
CPKF48-2LB  
CPKF48-5LB  
CPKF60-5LB  
CPKF61-5LB



RP - 333  
October 2004

Made in the USA by:  
Goodman Manufacturing Company, L.P.  
2550 North Loop West, Suite 400  
Houston Texas 77092

This manual is to be used by qualified technicians only.

Copyright © 2004 Goodman Manufacturing Company, L.P.

## Important Information

---

Goodman Manufacturing Company, L.P. is not responsible for personal injury or property damage resulting from improper service. Review all service information before beginning repairs.

Warranty service must be performed by an authorized technician, using authorized factory parts. If service is required after the warranty expires, Goodman Manufacturing Company, L.P. also recommends contacting an authorized technician and using authorized factory parts.

For assistance within the U.S.A. contact:

Consumer Affairs Department  
Goodman Manufacturing Company, L.P.  
7401 Security Way  
Houston, Texas 77040  
877-254-4729-Telephone  
713-863-2382-Facsimile

For assistance outside the U.S.A. contact:

International Division  
Goodman Manufacturing Company, L.P.  
7401 Security Way  
Houston, Texas 77040  
713-861-2500-Telephone  
713-863-2382-Facsimile

# Index

Functional Parts List .....	4 - 5
Illustration and Parts .....	6 - 9

*Views shown are for parts illustrations only, not servicing procedures.*

## Text Codes:

AR - As Required

NA - Not Available

NS - Not Shown

00000000 - See Note

QTY - Quantity Example (QTY 3) (If Quantity not shown, Quantity = 1)

M - Model Example (M1) (If M Code not shown, then part is used on all Models)

## Expanded Model Nomenclature:

Example
M1 - Model#1
M2 - Model#2
M3 - Model#3

# Functional Parts

## Part

## No: Description:

---

B1226205	ACCUMULATOR, 5/8" O. D. (M1, M2, M3)
B1226207	ACCUMULATOR, 7/8" O. D. (M4, M5, M6, M7, M8)
B945650	CAPACITOR, 5/370 (M3, M4, M6, M7, M8)
B94577200	CAPACITOR, DUAL, 45/5/370 (M1)
B94575700	CAPACITOR, DUAL, 50/5/440 (M2)
B94575800	CAPACITOR, DUAL, 55/5/440 (M5)
CR30K6PFJ260	COMPRESSOR, CR30K6-PFJ-260 (M1)
CR41KQPFT980WB	COMPRESSOR, CR41KQ-PFT-280AB (M2)
CR41KQTFD980WB	COMPRESSOR, CR41KQ-TFD-280AB (M3)
CR47KQTFD980WB	COMPRESSOR, CR47KQ-TFD-280AB (M4)
CRN50500PFV270	COMPRESSOR, CRN5-0500-PFV-270 (M5)
CRN50500TFD970	COMPRESSOR, CRN5-0500-TFD-270 (M7)
ZR61KCTFD930	COMPRESSOR, ZR61KC-TFD-230 (M6)
ZR72KCTFD930	COMPRESSOR, ZR72KC-TFD-230 (M8)
1262237	CRATED CONDENSER SERVICE COIL W/DRIER (M7, M8)
1262246	CRATED CONDENSER SERVICE COIL W/DRIER (M2, M3)
1262245	CRATED CONDENSER SERVICE COIL W/DRIER (M1)
1262244	CRATED CONDENSER SERVICE COIL W/DRIER (M4, M5, M6)
B1226008S	DEFROST CONTROL W/RELAY
B1219204	DRIER, BI-FLOW, STEEL
B1314462	FLOWRATOR (M2, M3)
B2114680	FLOWRATOR (M8)
B2114676	FLOWRATOR (M6)
B2114671	FLOWRATOR (M7)
B2114668	FLOWRATOR (M4)
B2114665	FLOWRATOR (M5)
B1314380	FLOWRATOR (M1)
B13400500	MOTOR, CONDENSER, FAN, 220/240-50-1, 1/4 HP, 950 RPM (M1, M2)
B13400506	MOTOR, CONDENSER, FAN, 220/240-50-1, 1/4 HP, 950/1050 RPM (M5)
B13400269	MOTOR, CONDENSER, FAN, 380/460-50/60-1, 1/4 HP, 950/1050 RPM (M3, M4, M6, M7, M8)
B1219301	MUFFLER, 1/2" X 1/2" (M2, M3, M4, M5, M6, M7, M8)
B1219300	MUFFLER, 3/8" X 3/8" (M1)
B1360719	SWITCH, LOW PRESSURE
B1370803	THERMOSTAT, DEFROST
B1370772	TIME DELAY RELAY, 3 MINUTES
B1227315	VALVE, REVERSING W/SOLONOID, 3/4" O. D. (M2, M3)
B1227314	VALVE, REVERSING W/SOLONOID, 5/8" O. D. (M1)
B1227317	VALVE, REVERSING W/SOLONOID, 7/8" O. D. (M4, M5, M6, M7, M8)

# Functional Parts

## Part

No: Description:

---

### SPECIAL PARTS

IO-103 INSTALLATION AND OPERATION MANUAL

RP-207 REPAIR PARTS MANUAL

SS-238 SPECIFICATION SHEET

### Expanded Model Nomenclature

M1 - CPKK24-2LB

M2 - CPKF36-2LB

M3 - CPKF36-5LB

M4 - CPKF42-5LB

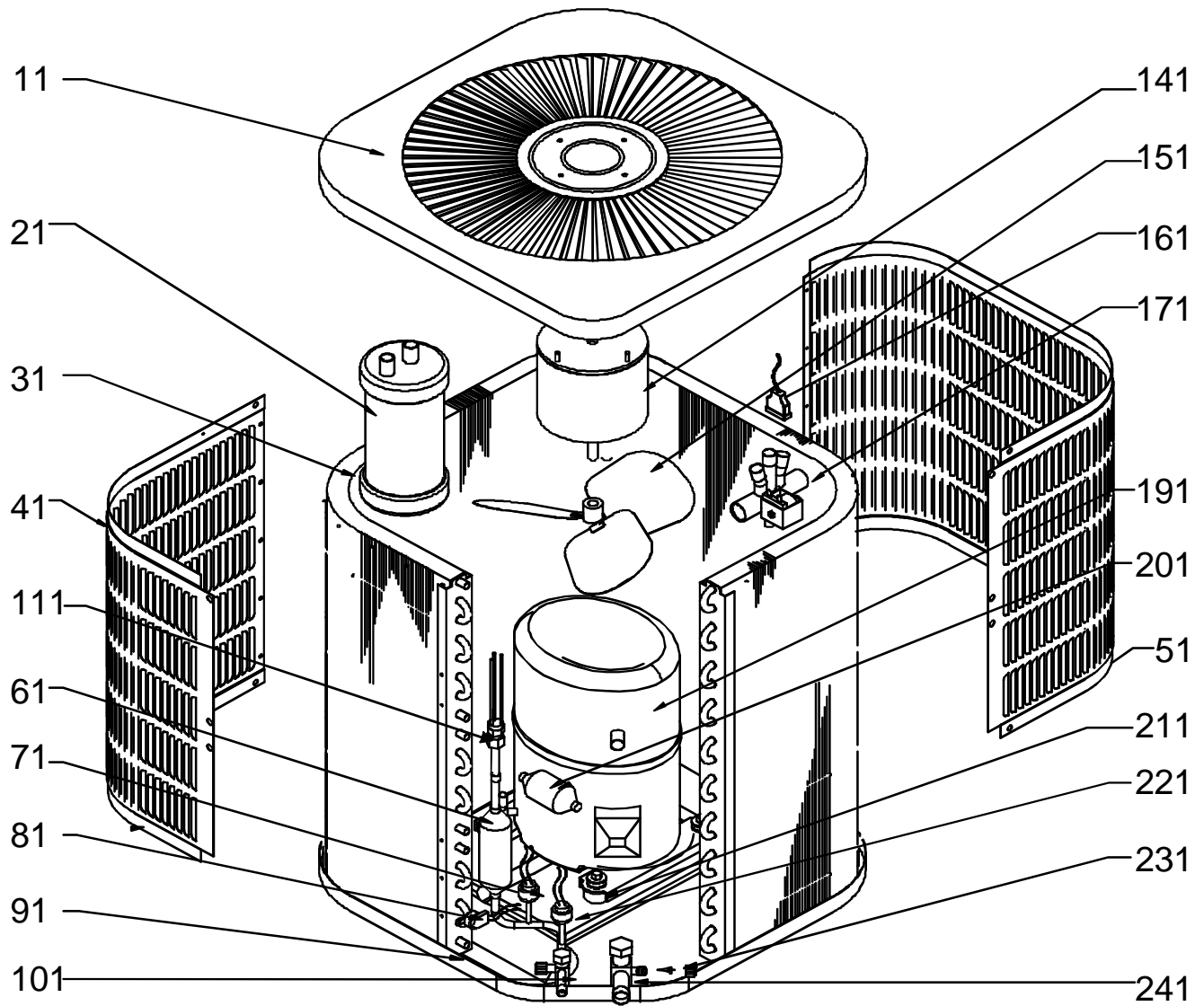
M5 - CPKF48-2LB

M6 - CPKF48-5LB

M7 - CPKF60-5LB

M8 - CPKF61-5LB

# Chassis



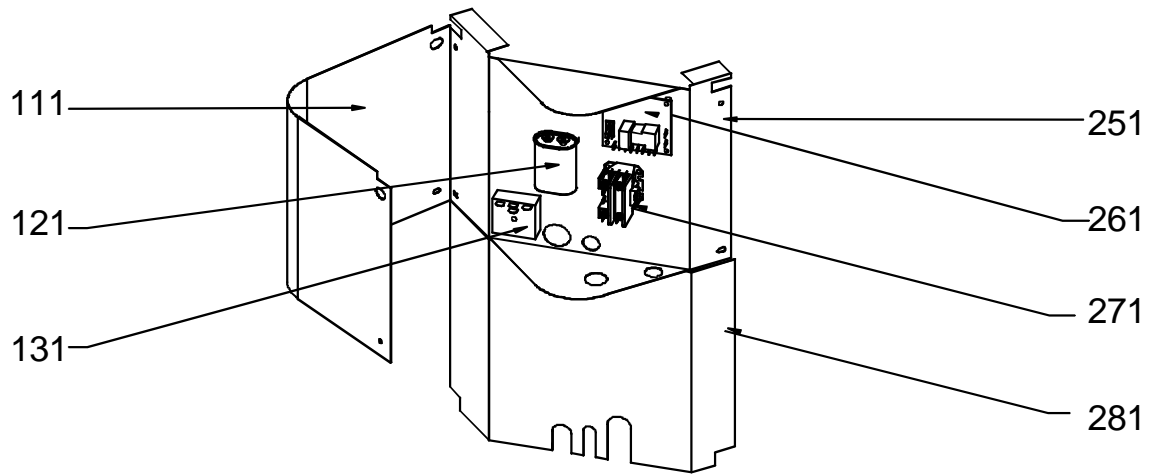
# Chassis

Ref. Part No:	Ref. Part No:	Description:	Description:
<i>Image 1:</i>			
11	1779406PDG	PANEL, TOP, LOUVERED, LARGE (M4, M5, M6, M7, M8)	191 ZR72KCTFD930 COMPRESSOR, ZR72KC-TFD-230 (M8)
11	1779405PDG	PANEL, TOP, LOUVERED, SMALL (M1, M2, M3)	201 B1219301 MUFFLER, 1/2" X 1/2" (M2, M3, M4, M5, M6, M7, M8)
21	B1226205	ACCUMULATOR, 5/8" O. D. (M1, M2, M3)	201 B1219300 MUFFLER, 3/8" X 3/8" (M1)
21	B1226207	ACCUMULATOR, 7/8" O. D. (M4, M5, M6, M7, M8)	211 B1339530 GROMMET, COMPRESSOR (M1, M2, M3, M4)
31	1262237	CRATED CONDENSER SERVICE COIL W/DRIER (M7, M8)	211 B1339533 GROMMET, COMPRESSOR (M5, M6, M7, M8)
31	1262244	CRATED CONDENSER SERVICE COIL W/DRIER (M4, M5, M6)	221 B1360713 SWITCH, HIGH PRESSURE
31	1262245	CRATED CONDENSER SERVICE COIL W/DRIER (M1)	231 B1787000 CORE, VALVE
31	1262246	CRATED CONDENSER SERVICE COIL W/DRIER (M2, M3)	241 B1282581 VALVE, BASE, SUCTION LINE, 3/4" X 3/4" SWEAT (M1, M2, M3)
41	1259551PDG	PANEL, LOUVERED, HAIRPIN SIDE, 25.0" (M1)	241 B1282582 VALVE, BASE, SUCTION LINE, 7/8" X 7/8" SWEAT (M4, M5, M6, M7, M8)
41	1259553PDG	PANEL, LOUVERED, HAIRPIN SIDE, 30.0" (M2, M3)	
41	1259561PDG	PANEL, LOUVERED, HAIRPIN SIDE, 30.0" (M4, M5, M6)	
41	1259562PDG	PANEL, LOUVERED, HAIRPIN SIDE, 37.5" (M7, M8)	
51	1259556PDG	PANEL, LOUVERED, RETURN SIDE, 25.0" (M1)	
51	1259566PDG	PANEL, LOUVERED, RETURN SIDE, 37.5" (M7, M8)	
51	1259558PDG	PANEL, LOUVERED, RETURN SIDE, 30.0" (M2, M3)	
51	1259565PDG	PANEL, LOUVERED, RETURN SIDE, 30.0" (M4, M5, M6)	
61	B1219204	DRIER, BI-FLOW, STEEL	
71	B1360719	SWITCH, LOW PRESSURE	
81	B1370803	THERMOSTAT, DEFROST	
91	1787212PDG	PAN, BOTTOM, LARGE (M4, M5, M6, M7, M8)	
91	1787211PDG	PAN, BOTTOM, SMALL (M1, M2, M3)	
101	B1282580	VALVE, BASE, LIQUID LINE, 3/8"	
111	B1314380	FLOWRATOR (M1)	
111	B1314462	FLOWRATOR (M2, M3)	
111	B2114665	FLOWRATOR (M5)	
111	B2114668	FLOWRATOR (M4)	
111	B2114671	FLOWRATOR (M7)	
111	B2114676	FLOWRATOR (M6)	
111	B2114680	FLOWRATOR (M8)	
141	B13400500	MOTOR, CONDENSER, FAN, 220/240-50-1, 1/4 HP, 950 RPM (M1, M2)	
141	B13400506	MOTOR, CONDENSER, FAN, 220/240-50-1, 1/4 HP, 950/1050 RPM (M5)	
141	B13400269	MOTOR, CONDENSER, FAN, 380/460-50/60-1, 1/4 HP, 950/1050 RPM (M3, M4, M6, M7, M8)	
151	B1086771S	FAN, 3 BLADE, 18.0" DIA., 32° PITCH (M1, M2, M3)	
151	B1086770S	FAN, 3 BLADE, 22.0" DIA., 19° PITCH (M4, M5, M6)	
151	B1086750S	FAN, 3 BLADE, 22.0" DIA., 24° PITCH (M7, M8)	
161	B1225020	CORD, SOLENOID COIL	
171	B1227315	VALVE, REVERSING W/SOLONOID, 3/4" O. D. (M2, M3)	
171	B1227314	VALVE, REVERSING W/SOLONOID, 5/8" O. D. (M1)	
171	B1227317	VALVE, REVERSING W/SOLONOID, 7/8" O. D. (M4, M5, M6, M7, M8)	
191	CR30K6PFJ260	COMPRESSOR, CR30K6-PFJ-260 (M1)	
191	CR41KQPFT980WB	COMPRESSOR, CR41KQ-PFT-280AB (M2)	
191	CR41KQTFD980WB	COMPRESSOR, CR41KQ-TFD-280AB (M3)	
191	CR47KQTFD980WB	COMPRESSOR, CR47KQ-TFD-280AB (M4)	
191	CRN50500PFV270	COMPRESSOR, CRN5-0500-PFV-270 (M5)	
191	CRN50500TFD970	COMPRESSOR, CRN5-0500-TFD-270 (M7)	
191	ZR61KCTFD930	COMPRESSOR, ZR61KC-TFD-230 (M6)	

Expanded Model Nomenclature

- M1 - CPKF24-2LB
- M2 - CPKF36-2LB
- M3 - CPKF36-5LB
- M4 - CPKF42-5LB
- M5 - CPKF48-2LB
- M6 - CPKF48-5LB
- M7 - CPKF60-5LB
- M8 - CPKF61-5LB

# Control Panel



# Control Panel

Ref. Part No:	Ref. Part No:	Description:	Description:
---------------	---------------	--------------	--------------

Image 1:

111	1787624PDG	CONTROL BOX COVER
121	B945650	CAPACITOR, 5/370 (M3, M4, M6, M7, M8)
121	B94577200	CAPACITOR, DUAL, 45/5/370 (M1)
121	B94575700	CAPACITOR, DUAL, 50/5/440 (M2)
121	B94575800	CAPACITOR, DUAL, 55/5/440 (M5)
131	B1370772	TIME DELAY RELAY, 3 MINUTES
251	1787623	CONTROL BOX
261	B1226008S	DEFROST CONTROL W/RELAY
271	B1360321	CONTACTOR, 25 AMP, 1 POLE (M1)
271	B1360315	CONTACTOR, 25 AMP, 3 POLE (M3, M4, M6, M7, M8)
271	B1360324	CONTACTOR, 30 AMP, 1 POLE (M2)
271	B1360305	CONTACTOR, 40 AMP, 3 POLE (M5)
281	1787707PDG	PANEL, ACCESS, 25.0" (M1)
281	1787709PDG	PANEL, ACCESS, 30.0" (M2, M3, M4, M5, M6)
281	1787717PDG	PANEL, ACCESS, 37.5" (M7, M8)

## Expanded Model Nomenclature

- |                 |
|-----------------|
| M1 - CPKF24-2LB |
| M2 - CPKF36-2LB |
| M3 - CPKF36-5LB |
| M4 - CPKF42-5LB |
| M5 - CPKF48-2LB |
| M6 - CPKF48-5LB |
| M7 - CPKF60-5LB |
| M8 - CPKF61-5LB |